

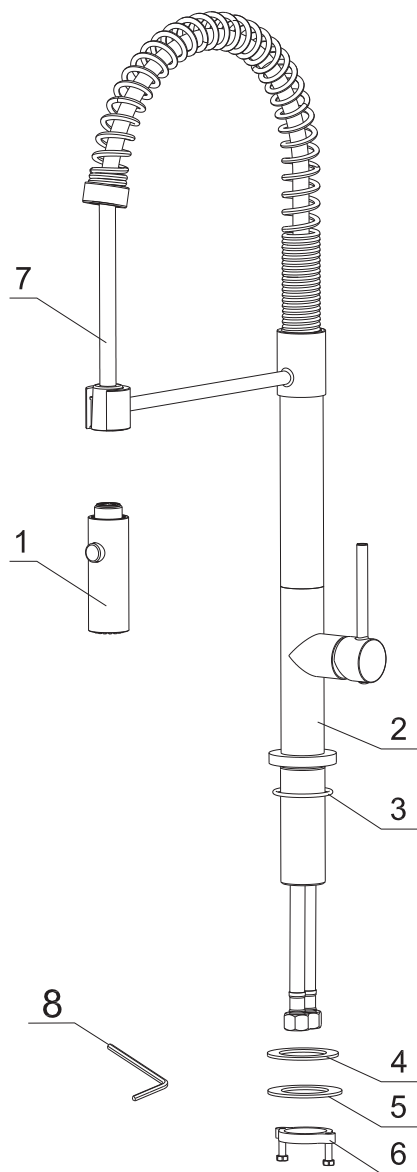
Karran[®]

INSTALLATION GUIDE

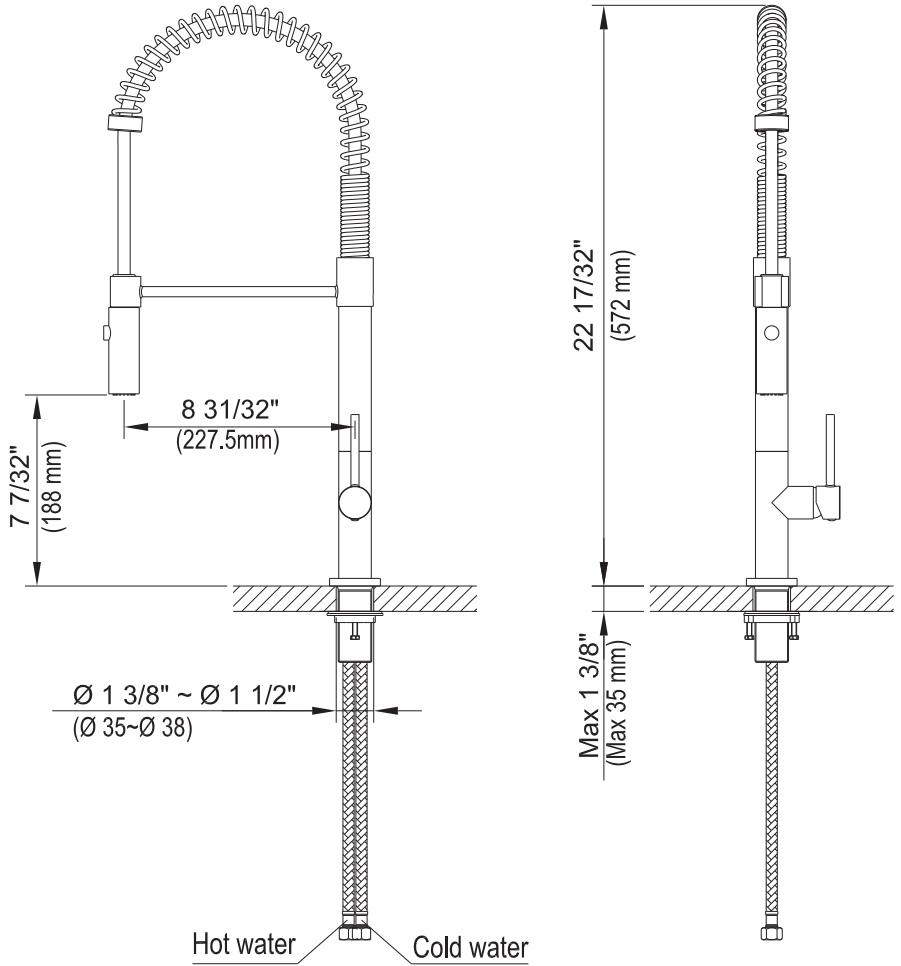


Bluffton

Models: KKF220C KKF220SS
KKF220MB

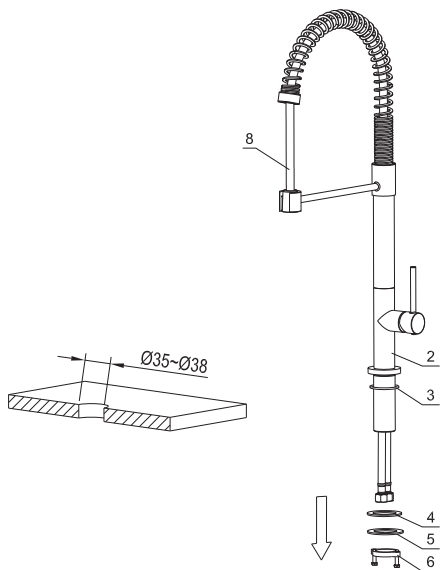


The Component List	Qty.
1. Spray Head	1
2. Main Body	1
3. "O" Ring	1
4. Rubber Washer	1
5. Metal Washer	1
6. Mounting Hardware	1
7. Spray Hose	1
8. Hex Wrench	1



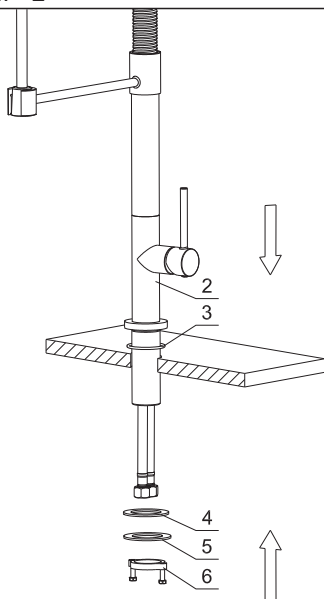
INSTALLATION GUIDE

STEP 1



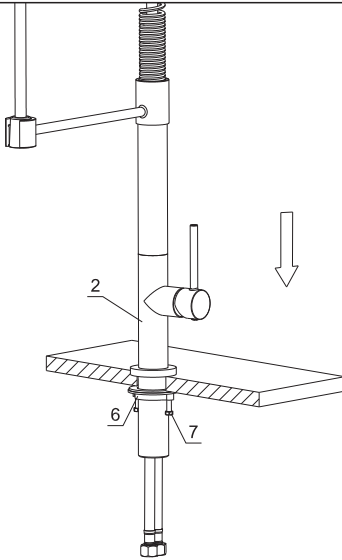
1. Remove the mounting hardware(6), metal washer(5), rubber washer(4) from the main body(2);

STEP 2



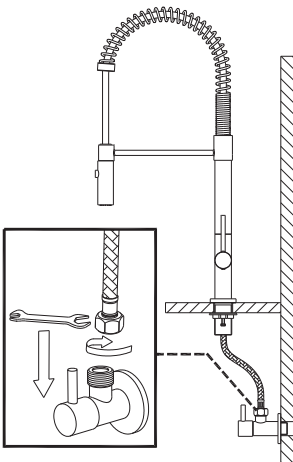
2. Insert the main body into the hole with the "O" ring(3), refix the rubber washer(4), metal washer(5), mounting hardware(6) from the bottom.

STEP 3



3. After adjusting the direction of the main body(2), tighten the mounting hardware (6) with hands and tighten the screws(7) with a Philips screwdriver.

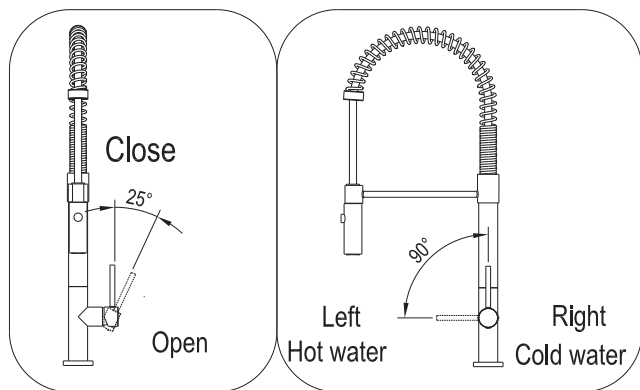
STEP 4



4. Connect the waterlines to outlet tightly. Turn on the outlet and check for leaks.

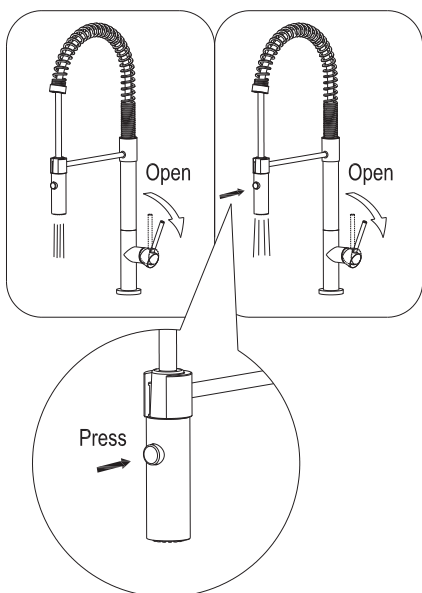
OPERATION

How to operate the handle:



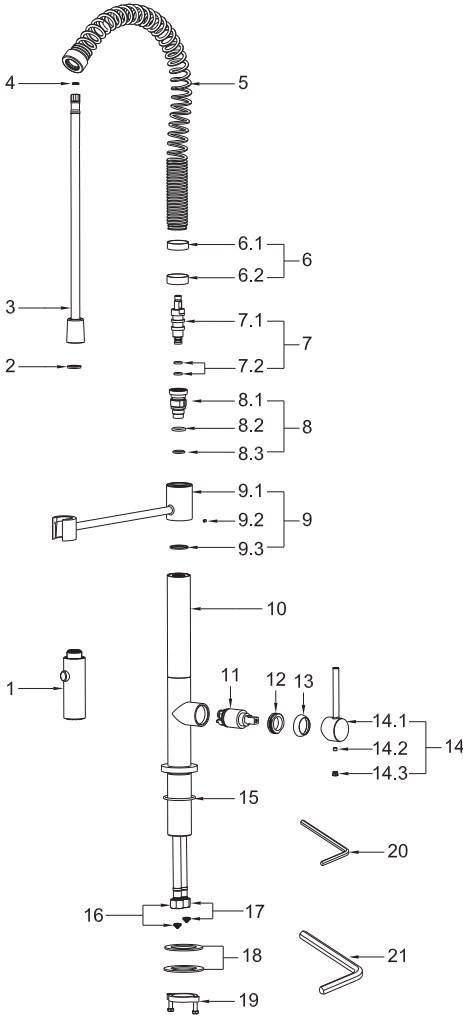
- 1) Open the handle lever to turn water on. Push to turn off.
- 2) Turn the handle lever to the left to increase hot water flow with higher water temperature, while lower the water temperature by operating reversely.

Spray



- 1) When first turned on, water comes from aerator.
- 2) Press the button, water comes from nozzles. Can alternate water flow by pressing the button.

REPLACEMENT PARTS



No.	Description	Finishes/Colors	Item No.
1	Spray	C, SS, MB	500302239**
2	Washer		70020035830
3	Spray Hose	C, SS, MB	500401839**
4	Washer		70020045330
5	Spring Assembly	C, SS, MB	500600366**
6	Protective Sleeve		70030068300
7	Retainer		40060188352
8	Rotation Core		40060181052
9	Spray Support Assembly	C, SS, MB	500200893**
10	Main Body Assembly	C, SS, MB	100300520**
11	25H Cartridge		20060014200
12	Nut		40060177952
13	Cap	C, SS, MB	500101446**
14	Handle	C, SS, MB	200100392**
15	O-Ring B		70010023430
16	Waterline		50042063821
17	Waterline		50042063826
18	Rubber & Metal Washers		70020037354
19	Mounting Nut & Screws		40060185018
20	Hex Wrench		50060003700
21	Hex Wrench		50060031400

** Denotes faucet component color options:

C - Chrome
 SS - Spot Free Stainless Steel
 MB - Matte Black